

TG V50

Dynamic Microphone



FEATURES

- Cardioid polar pattern
- Rugged construction
- Excellent transducer isolation
- TG V50 s version with on/off switch
- Supplied with microphone clamp and storage bag

APPLICATIONS

Whether in the rehearsal room or on a stage of any size, the dynamic TG V50 is an excellently tuned live vocal microphone. Especially notable are its balanced sound that is both powerful and natural, its very wide pick-up range thanks to its cardioid polar pattern, and its high feedback rejection; the whole product range is also outstanding in its handling, ruggedness, look and touch. The readiness of the TG V50 is also impressive – plug it in and it's ready. Its advantages like these that will win it many fans for use in lead and backing vocals of all music genres as well as by professional rental companies and sound technicians.

VERSIONS

- TG V50 Dynamic vocal microphone,
cardioid incl. microphone clamp . . Order # 707.252
- TG V50 s same as above, but with switch . . Order # 707.260

TECHNICAL SPECIFICATIONS

Transducer type	Dynamic
Operating principle	Pressure gradient
Polar pattern	Cardioid
Frequency response:	
Close miking	50 - 17,000 Hz
Distant miking (measured at 1 m)	80 - 17,000 Hz
Open circuit voltage	2.4 mV/Pa (-52.5 dBV) ±3 dB
Nominal impedance	600 Ω
Load impedance	≥ 2 kΩ
Connection	XLR, 3-pin, male
Dimensions:	
Length	185 mm
Shaft diameter	23/35 mm
Head diameter	54 mm
Weight	270 g

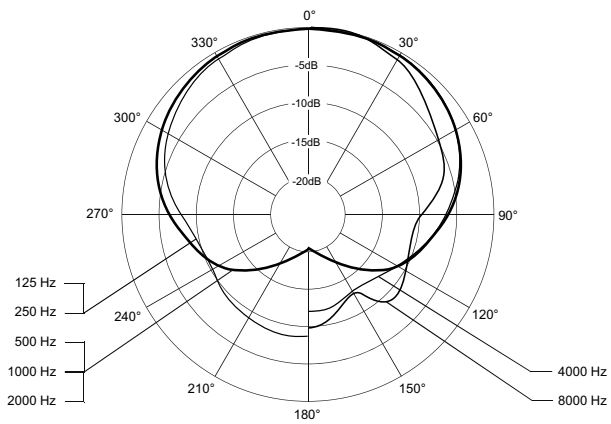
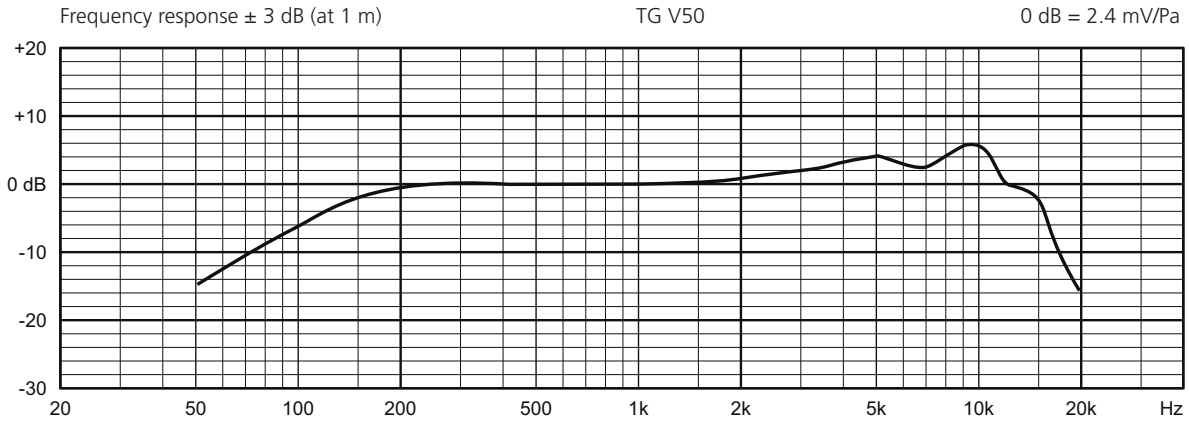
OPTIONAL ACCESSORIES

BMC 05 FM	Standard microphone cable XLR-XLR, length 5 m	Order # 434.787
BMC 10 FM	Standard microphone cable XLR-XLR, length 10 m	Order # 434.795
GST 500	Microphone stand 3/8", height 0.85-1.60 m, with telescopic boom	Order # 406.252
MKV 8	Microphone clamp, 3/8" and 5/8"	Order # 407.216
WS 59 AZ	Wind shield, charcoal-grey	Order # 419.087
WS 59 BL	Wind shield, blue	Order # 419.095
WS 59 GE	Wind shield, yellow	Order # 419.109
WS 59 GN	Wind shield, green	Order # 419.117
WS 59 RT	Wind shield, red	Order # 419.125
WS 59 WS	Wind shield, white	Order # 419.133

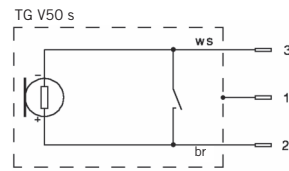
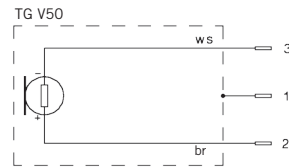
TG V50

FREQUENCY RESPONSE & POLAR PATTERN

This polar pattern and frequency response curve (± 3 dB) correspond to a typical production sample for this microphone.



WIRING DIAGRAMS



br = brown
ws = white